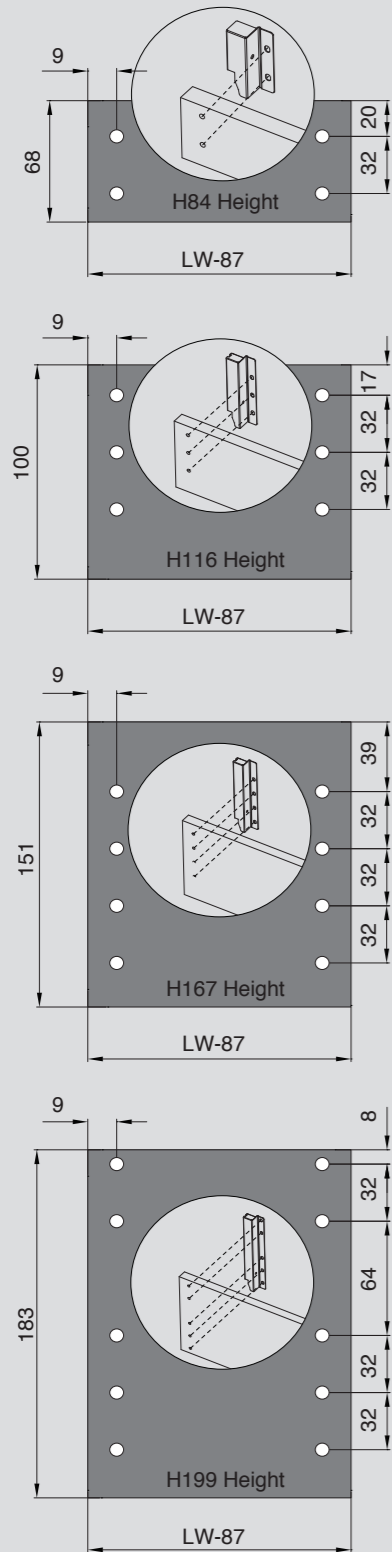


# Installation instruction for H BOX drawers

**CEMUX**

## Installation dimensions-Back panel



### Cutting dimensions - Back panel

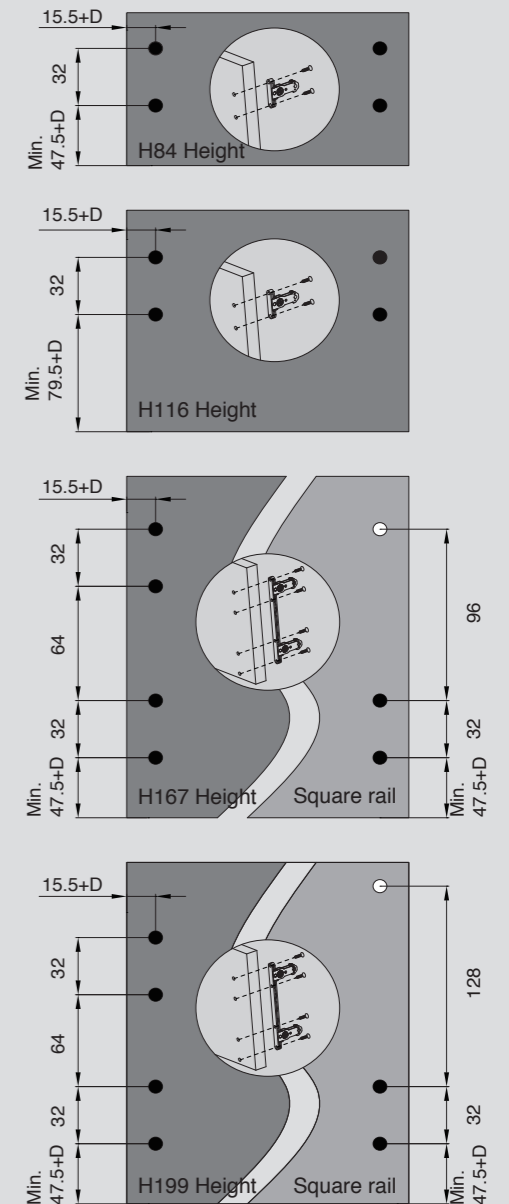
- 16mm-thickness wooden panel
- Width = LW-87mm
- Height: As shown above

## Product specification

- \* The H13 series are applicable to all wooden materials, including solid wood, particle board, MDF and etc;
- \* The loading capacity is 40kgs

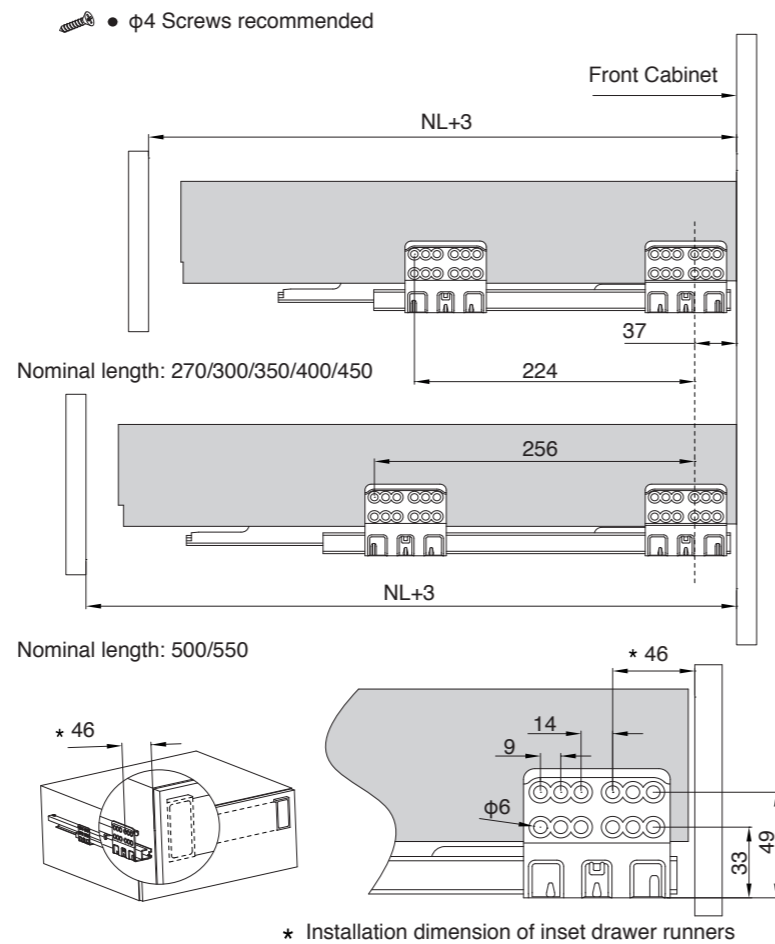
- \* There is an end stop when the drawers are fully extended;
- \* Front panel dimension: Max height 400mm, Max width 900mm;
- \* The corrosion test has been carried out 3 AHT acc. to EN ISO 6270-2

## Hole dimensions



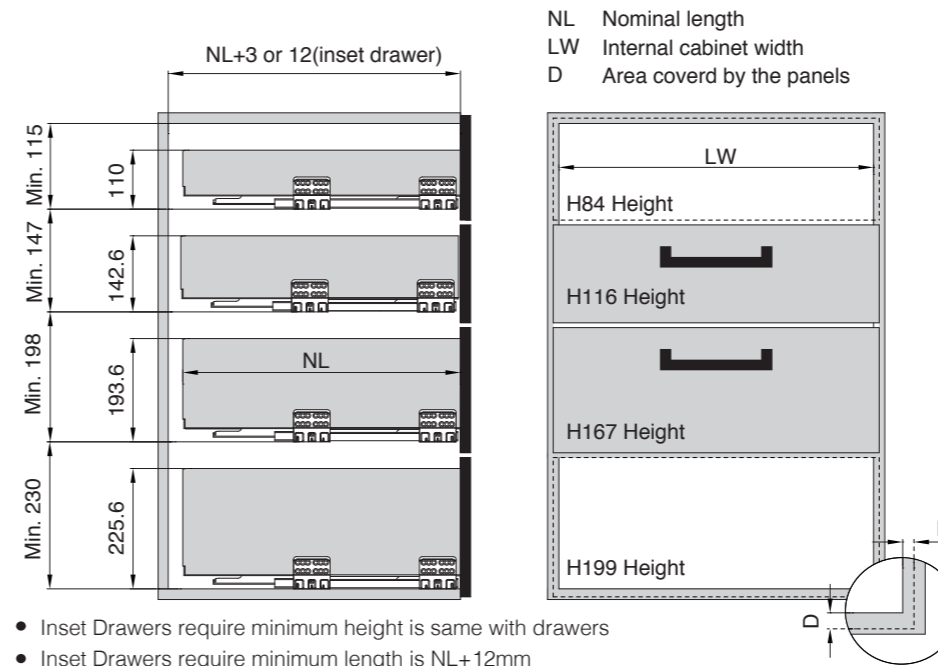
- Front bracket
- Square rail

## Installation dimensions-Drawer runners



\* Installation dimension of inset drawer runners

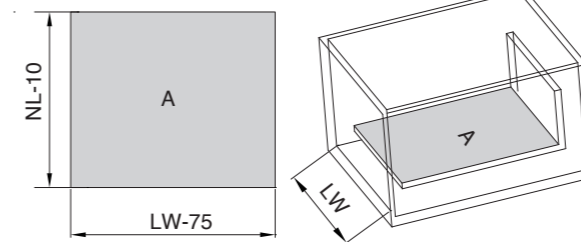
## Cabinet space requirement



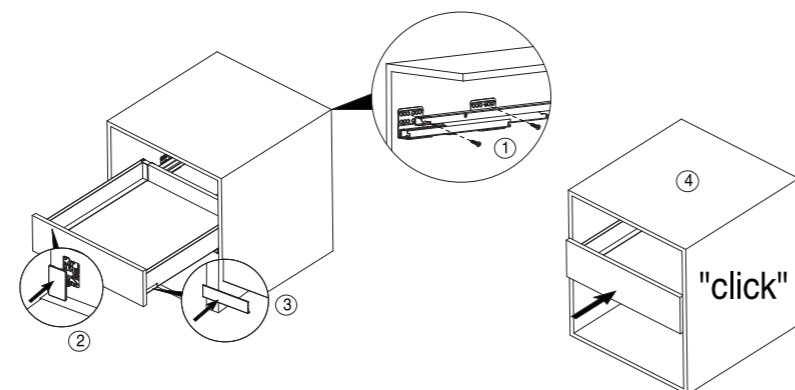
- Inset Drawers require minimum height is same with drawers
- Inset Drawers require minimum length is NL+12mm

### Cutting dimensions - Bottom panel

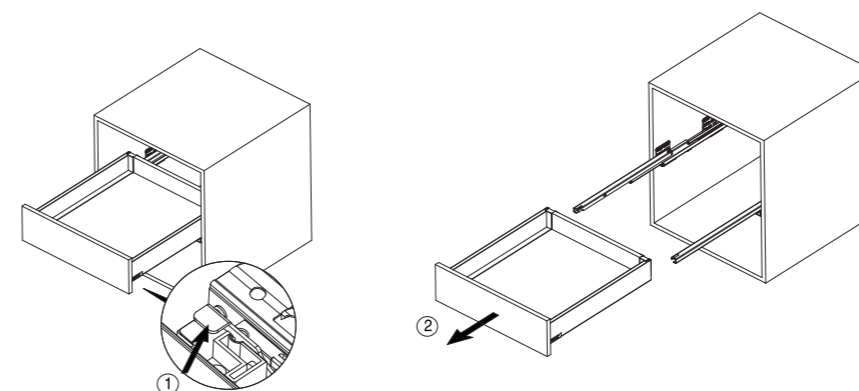
- 16mm-thickness wooden panel
- Width = LW - 75mm
- Length = NL - 10mm



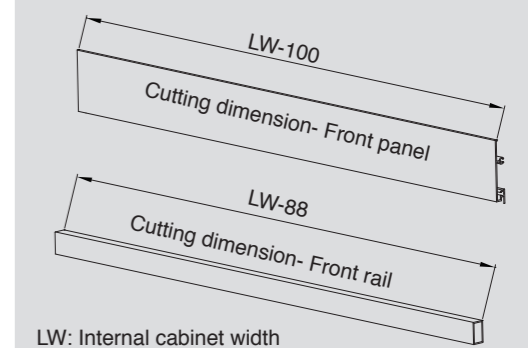
## Drawer installation



## Drawer remove

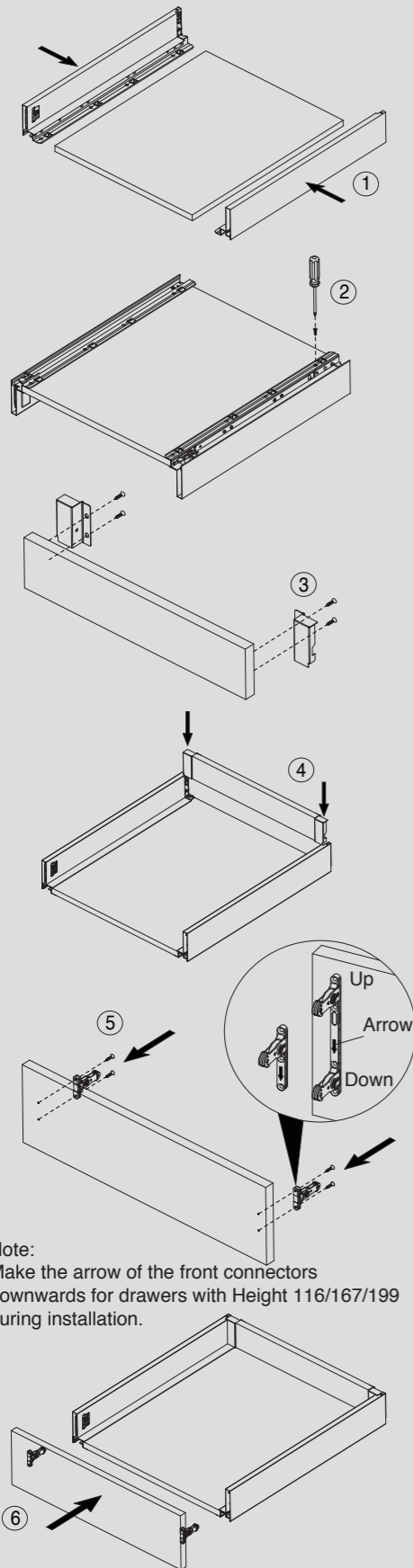


## Cutting dimensions for accessories



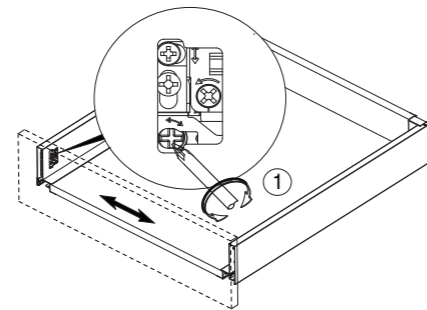
# Installation instruction for H BOX drawers

## Drawer installation

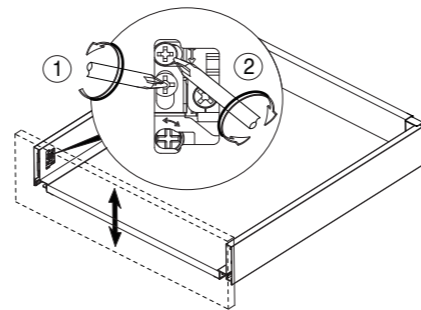


• Note:  
Make the arrow of the front connectors downwards for drawers with Height 116/167/199 during installation.

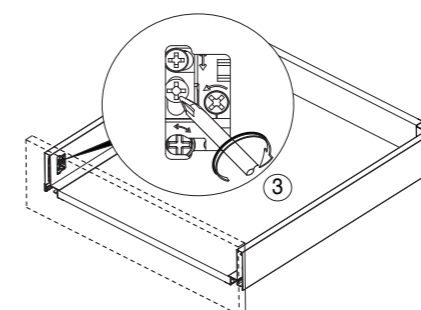
## Adjustment



- $\pm 1.5$  mm Rightward/Leftward Adjustments
- Use the corresponding adjustment screws during operation



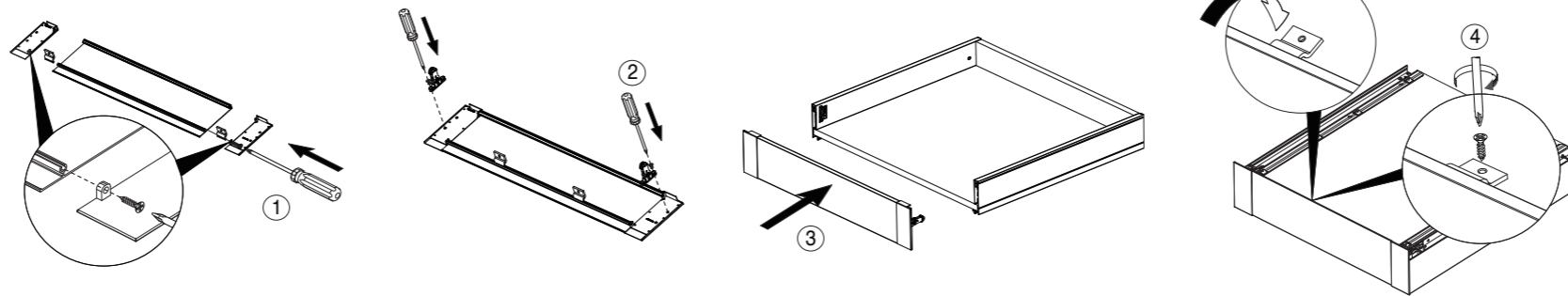
- $\pm 2$  mm Upward/Downward Adjustments
- Unlock the screws before the operation.



- Lock
- Lock the screws after adjustments.

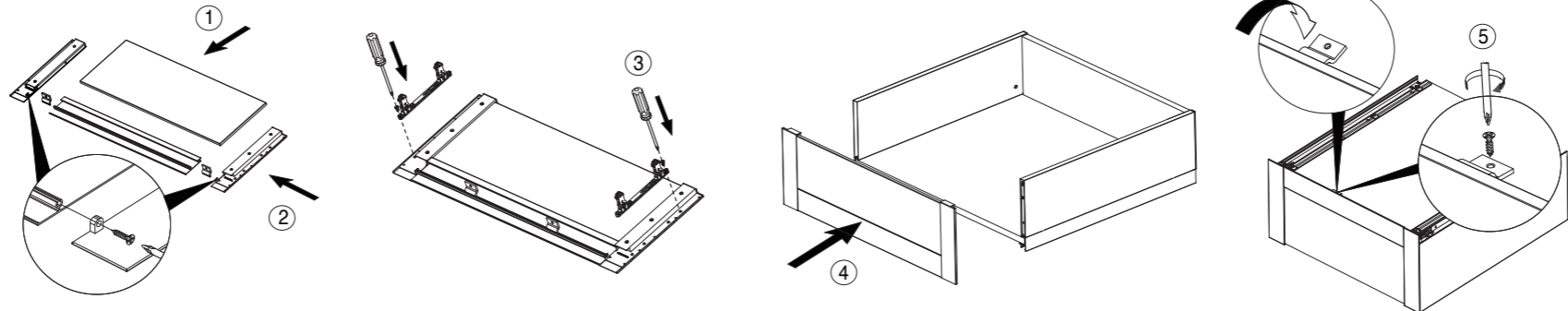
## Installation of the front panel for low inset drawers

- H84 Height



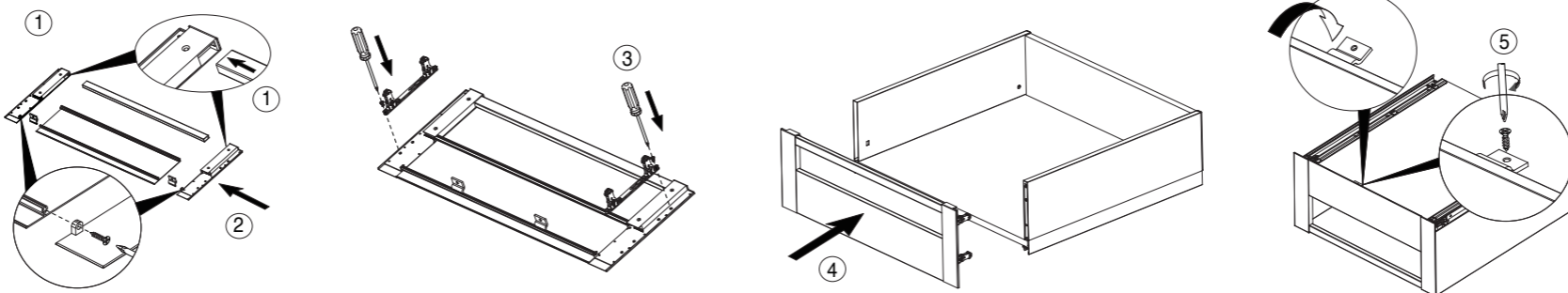
## Installation of the front panel with heighten panel for H167 & H199 inset drawers

- H167 & H199 Height

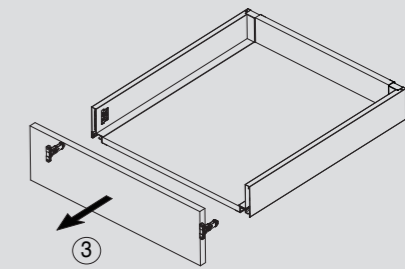
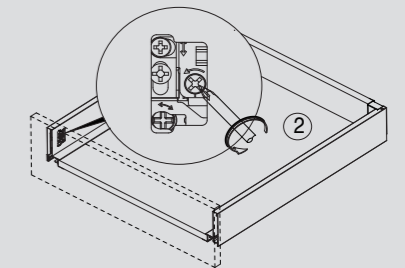
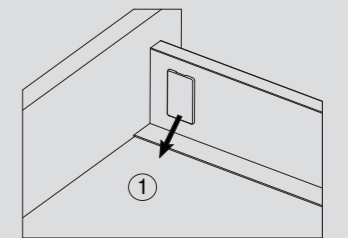


## Installation of the front panel with front rail for H167 & H199 inset drawers

- H167 & H199 Height



## Remove panel



## Installation of square rails

